



Alternative to concrete pits Modular containment bunds with fire-suppression system - BAFX®



*Engineering and
custom-made
design, design
calculctions,3D*

**Quick installation
Short disruption**



Exclusive distributor of GMT products 

Tel: +34 678 136 883 - +33 490 855 750

Web: www.akhelec.com / Mail: akhelec@akhelec.com

**Fire-suppression approved
in France by ERDF**

ATE n° 12E134/ADr

MODULAR FIRE-SUPPRESSING CONTAINMENT BUNDS

BAFX[®]

USE

This fire-suppressing system is an alternative to high voltage transformers and can avoid resorting to an offset bund whenever the location or the urgency of implementation is not suited to such a solution. The system is made up of connectable fire-protection metallic bunds, allowing a **very quick outflow of the dielectric into the retention area, as well as the natural extinguishment of the flames**

The BAFX[®] is a quick and technically well-known solution for a budget generally lower than other solutions. It is used:

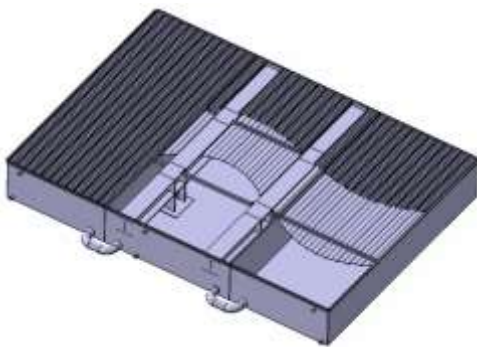
- On rocky or stony areas where excavation is difficult.
- In areas with a high water table.
- Whenever the preparation and drying time for an offset pit is not compatible with the requirements for the start up of the installation or the factory shutdown.

Test reports carried out by: CNPP
N° PE 96 5070 of the 17/12/1996
N° PE 09 7973 of the 25/05/2009
And TÜV N°284 090 80-001

Fire suppressing system authorised for use by
EDF/France (ATE n° 12E134/ADr)

DESIGN (patented system)

The BAFX[®] is a modular fire-protection bund system, made in hot dipped galvanized steel or stainless steel, laid on a simple concrete slab capable of supporting the weight of the transformers. The bunds are connected to each other in order to distribute the fluids in the total volume available.

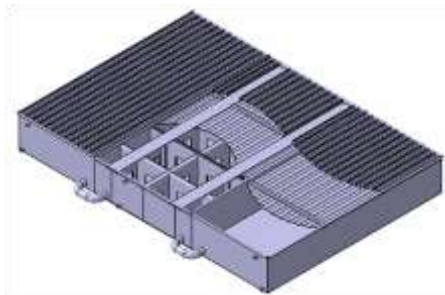
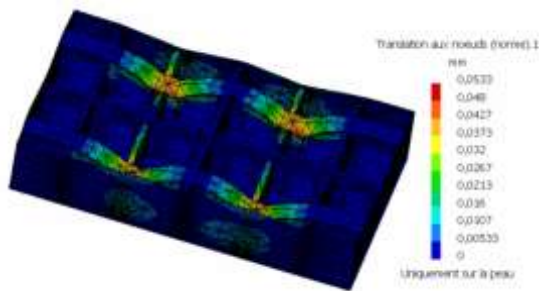


Each bund is tested to guarantee complete tightness to the dielectric oils which it can contain. A fire-protection cover, comes with every retention bund and guarantees rapid fire-suppressing in case of an incident .

This fire-suppressing system was successfully tested by the **FRENCH NATIONAL FIRE PROTECTION CENTRE** (tests reports N° PE 96 5070 of the 17/12/1996 & N° PE 09 7973 of the 25/05/2009) and by the **TÜV Rheinland** (Test report N° 284 090 80-001).

BAFX[®] MODULAR SYSTEM: FROM ENGINEERING TO ON-SITE INSTALLATION

The transformer is supported by fixed beams sized according to the weight of the equipment and laid down on bases welded to the bottom of the bund. For heavier loads, a metallic lattice is used to strengthen the supporting bund in order to achieve a better stress distribution. BAFX's have been produced for transformers weighing over 140 tons...



Whenever the BAFX[®] is installed outdoors, each bund is equipped with a filter from our FILTRELLEC[®] range: placed on an open valve, this filter enables the continuous evacuation of rainwater, while trapping traces of hydrocarbons.

In case of significant oil release, each cartridge solidifies and the bund provides a liquid tight barrier to prevent any external pollution. A safety siphon completes the device to drain the excess water, leaving time for the maintenance teams to step in.

Finally a re-inforced galvanized grating covers the baffles and allow staff to move around easily and safely.



Cartouche de filtration des hydrocarbures en sortie de bac



BAFX[®] MODULAR SYSTEM: ON-SITE INSTALLATION AND CONNECTION TO THE NETWORK

INSTALLATION

The BAFX[®] fire-suppressing system comes in separate bunds to be assembled on site.

Akhelec will handle the complete project, from on-site measurement to training of the local installer of the equipment through its experienced installation team .

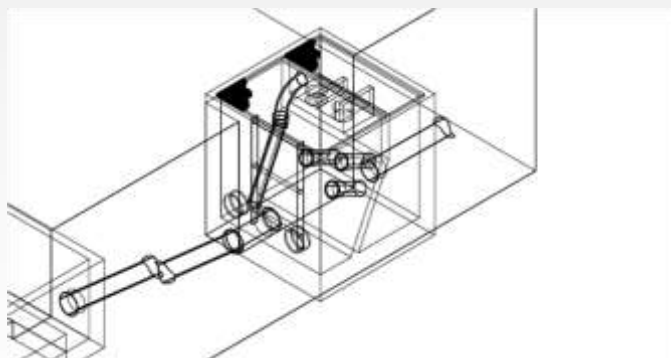


CONNECTION TO THE WATER TREATMENT SYSTEM

The BAFX[®] fire-suppressing system can be connected to a HYDROBLOC[®] system to prevent the environment from any hydrocarbon contamination.

A HYDROBLOC[®] replaces the FILTRELEC[®] cartridges installed in each bund: rainwater flows from the bunds through pipes to the HYDROBLOC[®]; this water is then filtered through the high-capacity FILTRELEC[®] filters. The purified water is then evacuated to the nearby sewage network, thus guaranteeing a hydrocarbon content under a few ppm.

Each HYDROBLOC[®] can be connected up to four bund systems simultaneously and can include up to 5 FILTRELEC[®] filters to achieve a flow rates of up to 80 litres/min.



AKHELEC

405, rue du Grand Gigognan—Z.I. Courtine
84000 Avignon—France

Tel: +44(0)7 518 745 074 - +33 (0)4 90 85 57 50
E-mail: akhelec@akhelec.com - Web: www.akhelec.com

